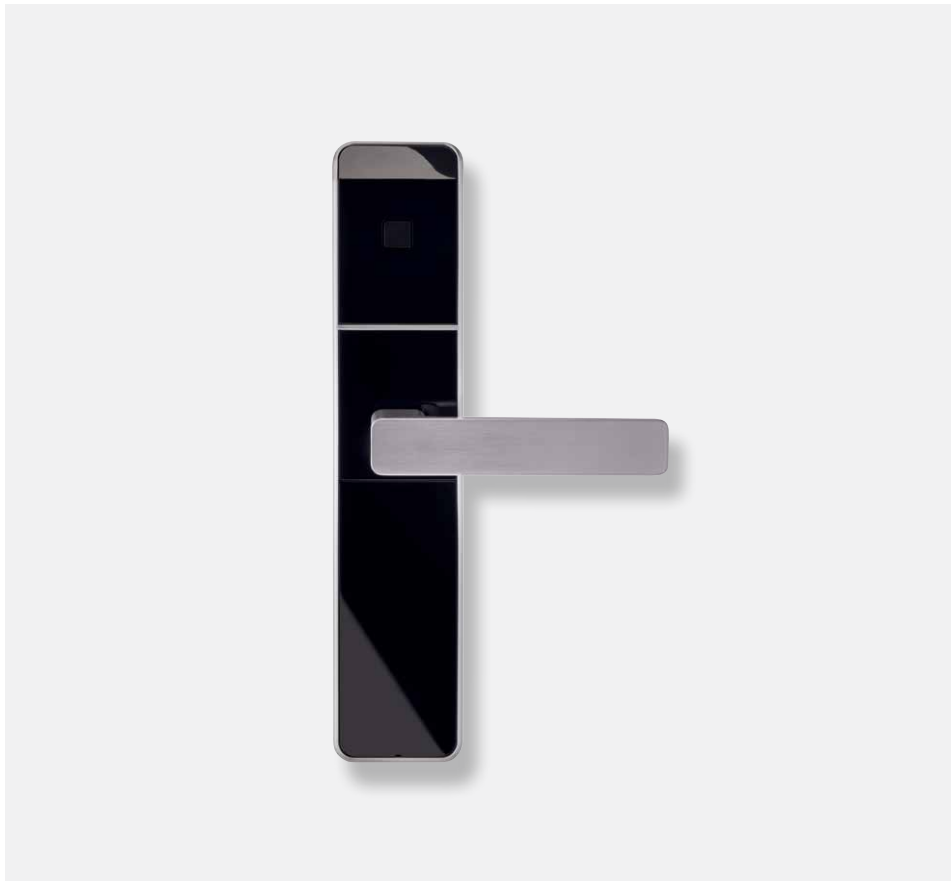


Confidant

Electronic hotel lock



Features

- Resistant to vandalism and attacks
- Improved tamper resistance: alarm is reset via an emergency key or dormakaba programming device
- Emergency access: electronic emergency opening using an emergency access card or mechanical emergency opening (MKO)
- Wear resistant construction and finish
- Wireless programming via NFC technology
- Completely protected and sealed contactless reader
- Batteries last for up to 50,000 openings or up to 2 years
- Low battery indicator alerts staff in good time
- Permanent audit trail, including for battery replacement and lock programming
- Supports Mobile Access via NFC (wallet) or Bluetooth® Low Energy (BLE) technology
- RFID as standard access media

Overview

The Confidant lock has graceful lines and a clean aesthetic. It features the latest in NFC, RFID and Bluetooth® Low Energy technology to enhance the guest experience. This modern lock is operated as a standalone solution and can be administered easily with the dormakaba management software.

Access management

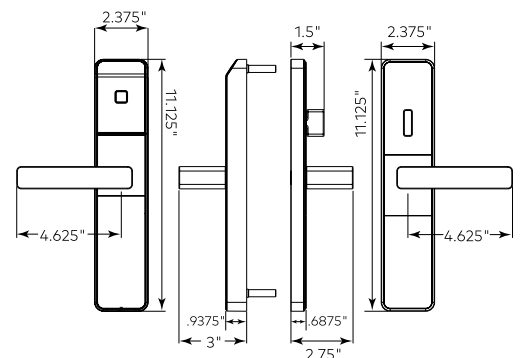
The Confidant lock is supported by our intuitive Ambiance software, which features an array of functions and workflows for both guest and staff access. Optionally, you can choose our Ambiance RX online access solution for additional functions which further improve access control.

Mobile Access


Our Confidant door lock supports access with mobile devices (Mobile Access) using Bluetooth® Low Energy or Near Field Technology (NFC).

Applications

- Available with or without a mortise lock
- Suitable for hotels of all sizes, from small to large
- Easily replaces existing mechanical or electronic locks
- Compatible with mortise locks from dormakaba and third-party suppliers
- Access control for guest rooms, common areas and non-public areas (back-of-house)



Features

External housing	<ul style="list-style-type: none"> Polycarbonate cover, glossy black Zinc cast alloy with steel mounting plate / reversible lever handle direction Ergonomic RFID reader with optical display of the reading field / LEDs for visual feedback Panel for the emergency opening cylinder (if present) and the lock socket Spindle socket
Internal housing	<ul style="list-style-type: none"> Polycarbonate cover, glossy black Stainless-steel trim panel with steel mounting plate Reversible lever handle direction Optional rotary knob for activation of the "Do not disturb" function
Lever handle	<p>Available in different designs; Outer lever handle free to rotate in locked mode</p> 
Standard surface finishes	Satin chrome or satin brass
Batteries	3 AA batteries for up to 50,000 openings or up to 2 years (based on 10 openings per day). A visual low battery indicator alerts staff if batteries need to be changed soon.
Versions EU	<ul style="list-style-type: none"> Kit 1 – external fittings only. Mortise lock and inside lever according to customer requirements (e.g. third-party supplier). Kit 2 – external and internal fittings. Mortise lock according to customer requirements (e.g. third-party supplier). Kit 3 – external and internal fittings with the dormakaba 395MS mortise lock
Lock	<ul style="list-style-type: none"> ANSI standard mortise lock with 1" or 1.25" faceplate, block bolt and latch with optional self-locking mechanism Cylindrical latch bolt lock DIN standard mortise lock with panic E function (8 and 9 mm). 20 mm strike plate as standard
Door thickness	From 35 to 66 mm (1 1/4" to 2 1/2")
Backset	<ul style="list-style-type: none"> ANSI mortise lock: 2 3/4" (70 mm) Cylindrical latch bolt lock: 2 3/4" (70 mm) or 2 3/8" (80 mm) DIN mortise lock when using a separate mortise lock. 55 – 80 mm with dormakaba mortise lock.
Online options	<ul style="list-style-type: none"> Offline: Standard Online Ready: additional connection cable from the external fitting to the internal fitting for connecting the online module. The internal fitting comes with additional housing to accommodate the online module Online Enabled: like Online Ready, but with an online module
Mobile Access options	<ul style="list-style-type: none"> Wallet Ready: standard, including NFC technology Wallet Enabled: Bluetooth® Low Energy (BLE) and security module for Mobile Access added. Includes a connection cable for the Bluetooth® and security module and the internal fitting with an additional housing to accommodate the module. Bluetooth® ready: Connection cable for the Bluetooth® and security module. Internal fitting comes with an additional housing to accommodate the module. Bluetooth® and security module for Mobile Access not included. Bluetooth® Enabled: Bluetooth® and security module for Mobile Access added. Includes the connection cable for the Bluetooth® and security module and the internal fitting with an additional housing for accommodation of the module.

Lock operation and programming

Programming	Wireless via programming device, based on NFC technology.
Date/time stamp	Real time: Date and hours/minutes
Programming and audit trail downloading	<ul style="list-style-type: none"> Lock programming using wireless Near Field Communication (NFC). Audit trail: using a 4K audit access card, a handheld unit (dormakaba M-Unit) or remotely using the online function, lock audits are downloaded and transferred to audit logs here.
Pre-registered access cards	Access cards can set up ten days in advance without overwriting existing valid cards or cards which are still to be created in the meantime.
Access card expiration	Configurable expiration dates can be automatically set for check-out date or manually entered during the check-in process.
Passage mode	Activated/deactivated by an authorised access card or using the online system. Can optionally be configured to an automated/pre-defined time.
Lockout mode	Activated/deactivated by an authorised access card or using the online system.
Access media	Supports *MIFARE Plus® EV2, MIFARE Ultralight® C, **MIFARE Ultralight AES and ***MIFARE® DESFire® EV3 media. Available access media: Access cards, key fobs and wristbands. *Requires extended security mode; available in Ambiance as of version 2.10. **From approx. January 2025, ***From approx. April 2025
Messages and diagnosis	<ul style="list-style-type: none"> Audible signalling and visual LED display on the lock; Diagnosis via LED display on the lock and programming device
Event memory	Up to 4,000 door events
Emergency opening/ bypassing of the "Do not disturb" function	By means of emergency cards or, if available, via the mechanical emergency opening cylinder.

Certifications, tests and guarantee

Fire rating	<ul style="list-style-type: none"> ANSI mortise lock: Meets UL 10C and ULC S-104 for up to 3 hours in conjunction with approved fire doors Deadbolt latch lock: UL 10C and ULC S-104 up to 20 minutes DIN mortise lock kit 3 (9 mm): Compliant with DIN EN 18273 and DIN EN 1634-1 as well as DIN EN 1634-3 for up to 30 minutes Approved third-party mortise locks with kits 1 and 2: up to 30 minutes
Approval as escape route door lock	<ul style="list-style-type: none"> ANSI mortise lock: Complies with IEC 61000-4, FCC Part 15 and Industry Canada RSS-210. CE R&TTE Directive 1999/EC DIN mortise lock kit 3 ("DIN lever"): EN 179
AbZ (Germany only)	DIN mortise lock: kit 1, kit 2 (with authorised third-party locks) and kit 3 (with dormakaba mortise lock)
Electronics	Complies with IEC 61000-4, FCC Part 15 and Industry Canada RSS-210. CE R&TTE Directive 1999/EC.
Ambient conditions	-35 °C to +66 °C (-31 °F to +151 °F) 0% to 85% non-condensing humidity at 30 °C (86 °F)
Warranty	2 years (standard)

Note: MIFARE Plus, MIFARE Ultralight and MIFARE DESFire are registered trademarks of NXP B.V. | The Bluetooth® word mark and logos are registered trademarks of Bluetooth SIG, Inc. The information on this sheet is intended for general use only; specifications may vary from country to country. Please consult with your local representative for details on local certifications and specifications. Subject to technical modifications. Version 11/2024. ©2024 dormakaba.

Any questions? We will be happy to assist you.

dormakaba International Holding AG | Hofwisenstrasse 24 | CH-8153 Rümlang | info.de@dormakaba.com | dormakaba.com