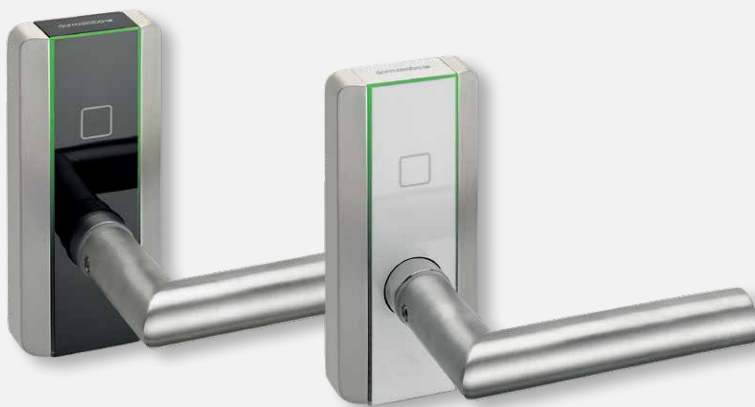


dormakaba c-lever compact

More than just a door handle



Wireless



Mobile Access



Advantages at a glance

- **Contribution to sustainability**
Manufactured from durable materials using resource-efficient design and enabling firmware updates
- **Efficient solution**
For interior doors – wooden, metal and even glass
- **Easy cable-free installation**
Even in upside down position
- **Can be combined seamlessly**
Large product range in the same high-quality design
- **Mobile Access function**
Users can receive access rights onto their smartphones via the dormakaba app

Smart control for your access

Open your door in the normal way. After presenting the valid access medium, a green signal lights up and you can operate the door as usual with the lever handle.

Choose the access medium that suits your needs – be it a card, key fob, key with RFID or your smartphone. The access media can usually be used for other applications that already are established in your company.

Design and function

The c-lever compact offers elegant design combined with a wide range of functions. You can control access precisely for an almost unlimited number of users according to specific places and time periods. You set the access rights and can change them quickly and flexibly, in standalone or wireless mode.

Integrable and Wireless

The c-lever compact can be integrated into our dormakaba system solutions and supports latest technologies such as RFID, NFC and Bluetooth®.

With the selectable wireless function you transmit your access rights from your PC to the door components via radio. Benefit from the advantages in terms of security, programming and maintenance.

Convenient and adaptable

Digitalise your access with this new electronic door fitting c-lever compact while continuing to independently use the mechanical master key system. You can carry on using your lever handle and – depending on the installation situation – you can also keep the cylinder and lock.

The c-lever compact is designed for interior doors, for instance in offices, administration areas or in the retail sector.

c-lever compact
Standard position



c-lever compact
Upside-down position



Clever design

Thanks to its innovative design, the c-lever compact can be assembled upside down: a great benefit for doors in tight spaces, such as glass doors, or doors where the cylinder is located above the lever handle.

Fast installation

Quick and cable-free installation on interior doors. Existing bores in the door can usually be used: the installation is done in just a few minutes.

Easy planning

This electronic door fitting is independent of locks and cylinders. It is therefore suited for customers who would like to change to an electronic access system: replacing a mechanical lever handle turns your existing master key system into electronic access control.

Programming

The c-lever compact is easy to program and suitable both for individual doors and as an element of a large access system. Depending on the selected features and administration software, different programming options are available: For example, access rights may be transmitted either remotely from your PC, with the programming device, via App or with the programming card directly to the electronic door lock.

Essential features

The firmware supports all dormakaba system solutions and offers the following main functions:

- Number of access media - with whitelist up to 4,000
- with CardLink or AoC practically unlimited
- Internal clock and configurable time profiles
- Time-limited assignment of access rights (validation)
- Audit trail of the last 2,000 events (can be disabled)

Technical data

Transmission technologies

- RFID identification:
 - LEGIC advant, ISO 14443A
 - MIFARE® DESFire®, ISO 14443A
 - OSS-SO Version 2021-06: LEGIC advant, MIFARE® DESFire®
- Mobile identification:
 - Near Field Communication (NFC)
 - Bluetooth® Low Energy (BLE)
- Wireless technology:
 - IEEE 802.15.4, 2,4 GHz

Dimensions

- 54.7 x 122.8 x 21.9 mm (W x H x D)
- min. backset 30 mm, dependent on door and lock

Versions

- Cover in black or white
- Standard, half or dual version
- Selectable handle designs
- Selectable functions: Wireless, Mobile Access

Power supply

- 2 batteries 1.5V AAA L92, FR03

Environment/service life

- Temperature: -25 °C to +70 °C
- Protection class: IP54
- Humidity: 0 to 95 %, non-condensing
- Battery life at 20 °C:
up to 60,000 cycles or up to 3 years

Certificates

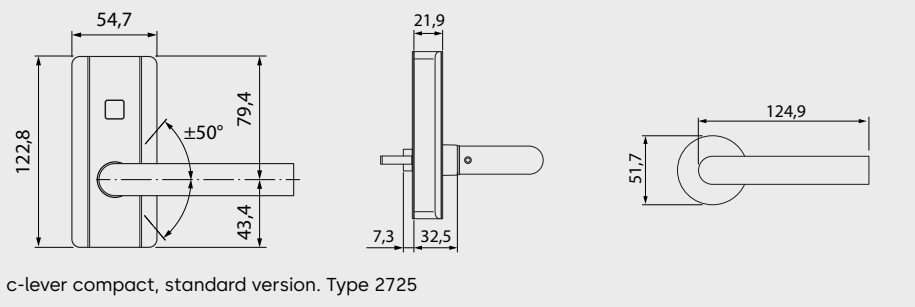
- Building hardware: EN 16867:
3 7 - B 2 4 D 0 0
- Fire/Smoke protection: tested in accordance with EN 1634-1 and -3
- Emergency exit: EN 179 (in combination with appropriate lever handles and locks)

Environmental product declaration: EPD

- Declaration number:
EPD-DOR-20210339-CBA1-EN
- Under ISO 14025 and EN 15804+A2
- Publisher and declaration holder: Institut Bauen und Umwelt e.V.

Note: The scope of this product's functions depends on the system environment selected. You can find further details and order information in the relevant dormakaba evolo catalogue or in the system description. MIFARE® and MIFARE® DESFire® are registered trademarks of NXP B.V. The Bluetooth® trademark and logos are registered trademarks owned by Bluetooth SIG, Inc.

Subject to changes without prior notice.
Version 11/2024. © dormakaba.



c-lever compact, standard version. Type 2725

Our Sustainability Commitment

dormakaba is committed to foster a sustainable development along our entire value chain.

In order to give quantified disclosures of a product's environmental impact and its ecological footprint, dormakaba provides Environmental Product Declarations (EPDs). Please download the EPD and read more about our sustainability commitment [here](#) or use the QR code provided.



Any questions? We will be happy to assist you.