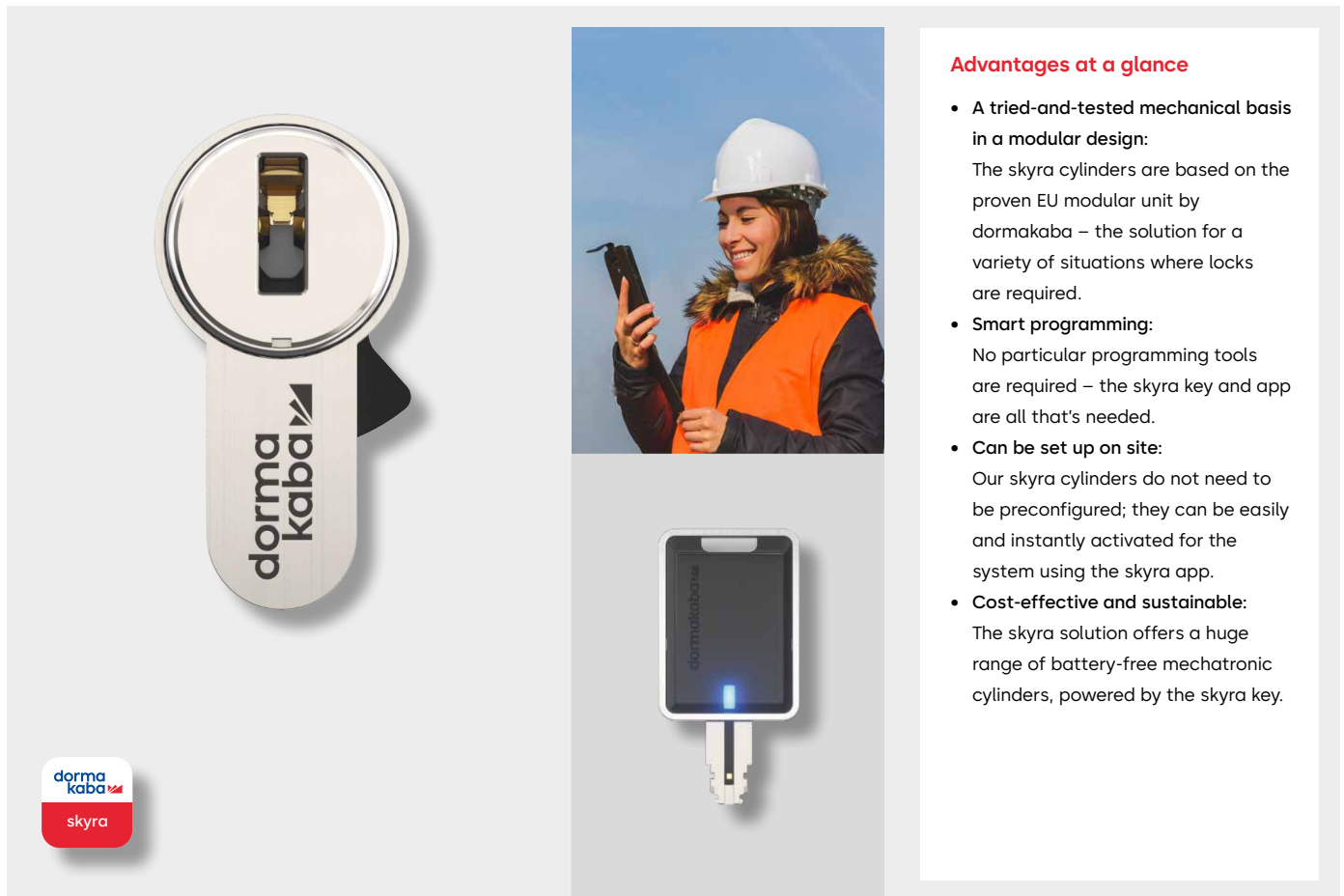


# dormakaba skyra cylinder

## Modular mechatronics



### Advantages at a glance

- **A tried-and-tested mechanical basis in a modular design:**  
The skyra cylinders are based on the proven EU modular unit by dormakaba – the solution for a variety of situations where locks are required.
- **Smart programming:**  
No particular programming tools are required – the skyra key and app are all that's needed.
- **Can be set up on site:**  
Our skyra cylinders do not need to be preconfigured; they can be easily and instantly activated for the system using the skyra app.
- **Cost-effective and sustainable:**  
The skyra solution offers a huge range of battery-free mechatronic cylinders, powered by the skyra key.

### A fully digital locking system

Developed for critical infrastructure and an array of locations, skyra is an effective solution for access security and organisation.

Our skyra door components are equipped with a battery-free mechatronic insert that augments the tried-and-tested mechanics and offers all the advantages of an electronic locking system.

The skyra key powers the locking cylinders and connects them to the central system. skyra cylinders are hard-wearing, meaning they're also suitable for outdoor use.

### Simple operation and secure access control in action

Opening doors using the skyra key is very intuitive: simply insert the key, which simultaneously verifies access rights and releases the lock. Then, all you have to do is turn the key to open the door.

### The key to full connection and encryption

Every time a skyra key is inserted, this is recorded in the cylinder's event log. In the background, door events are transferred from the cylinder to the key and then forwarded to the central system via Bluetooth® on a smartphone.

Access right data is protected and encrypted from the system to the door.

### Varied choice, customised solutions: the wide skyra range

Switching from mechanical to electronic locking systems is easy, as the skyra cylinders fit into standard door cylinder cutouts.

What's more, the skyra range is based around the set of EU modular cylinder range by dormakaba and therefore offers a comprehensive selection of locking components for practically every door and lock situation.



## Features and use

- **Complete product range:** from door cylinders in all known profiles, sheet metal cylinders, furniture locks and switch cylinders through to cylinders for door handles.
- **Certified security:** the highest standard in accordance with EN 15684 and VdS BZ+ (in the pipeline).
- **Electronic security:** every cylinder is secured with an individual security key. The data exchanged with the cylinder is also encrypted.
- **A high degree of flexibility:** skyra door components are neither pre-programmed nor tied to a particular system and can simply be obtained from the warehouse. The right skyra cylinder is installed on site. Commissioning is easy with the skyra key and app, which registers the cylinder in the system.
- **Assigning authorisation is easy:** changes in authorisation are transferred to the skyra key and there's no need for any changes to be made to the cylinder on site.
- **Internal event log:** records events with time stamp and transfers data to the skyra system.
- **Suitable for outdoor use:** optional dust and weather protection prevents dirt, insects and moisture from getting into the key channel.

## Technical data

### Cylinder types

- Euro profile, Swiss round profile, oval profiles
- Outer and inner cylinders
- Furniture cylinders, furniture locks
- Lock cylinders (sheet metal cylinders)
- Key-operated cylinders
- Lift control cylinders
- Cylinders for window handles and knobs
- Key store and cabinets

### Door cylinder variants:

- Half, double, turning knob
- Short version (asymmetrical)
- One-sided blind or with mechanical anti-rotation safeguard (in preparation)
- Thumbturn knobs: round, small

### Lengths in 5 mm increments:

- Euro profile: from 30/30 to 220/220 mm
- Swiss round profile: from 32.5/32.5 to 152.5/152.5 mm

### Surfaces:

- Nickel-plated, brass, chrome, burnished, black

### Couplings:

- Standard: lockable on both sides
- Optional: priority or freewheel (in preparation)

### Security

- AES encryption
- Individual security encryption keys per cylinder

### Event log:

- Up to 500 events

### Service life:

- Min. 200,000 locking cycles

### Environment:

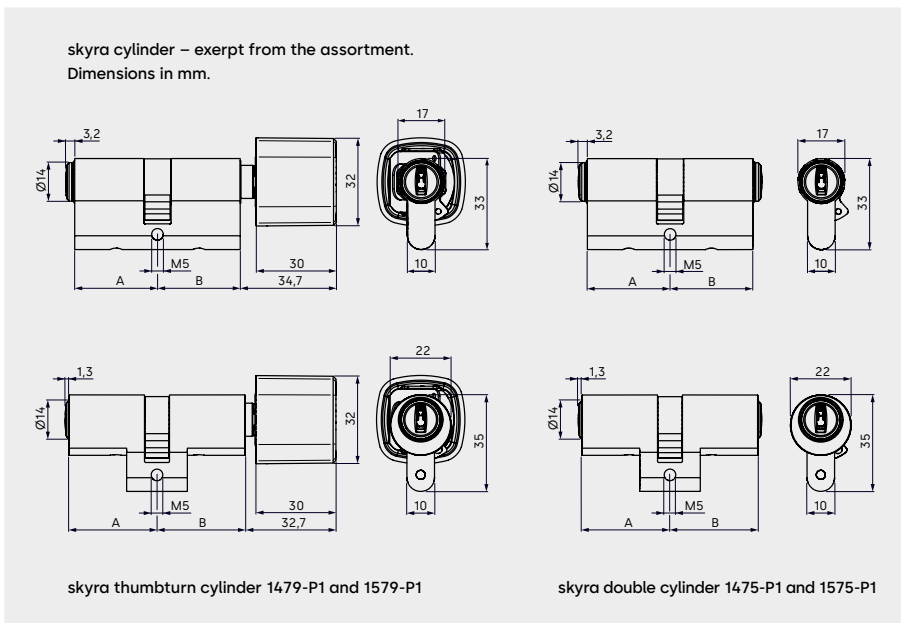
- Temperature range: -25 °C to +70 °C
- Protection class IP55; Protection class IP67 with additional weather protection (in preparation)

### Certificates (in preparation)

- EN 15684: 1 6 B 4 0 D 3 D
- VdS BZ+
- Fire safety: EN 1634-2: 95 min.

### Conformity

CE, UKCA, RoHS, REACH



Subject to changes without prior notice.  
Version 11/2024. © dormakaba.

Any questions? We will be happy to assist you.